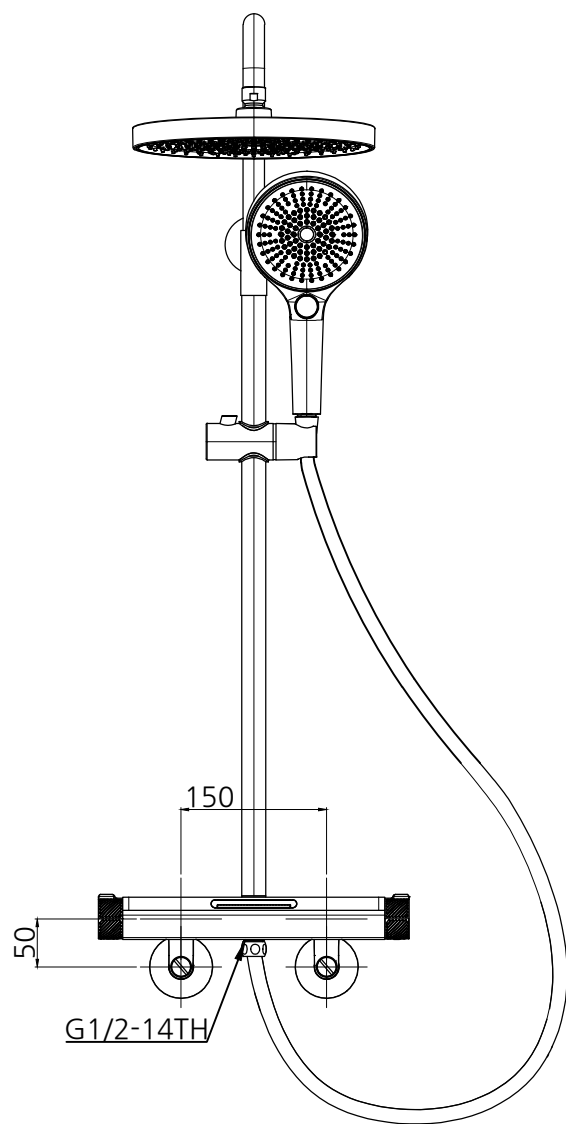
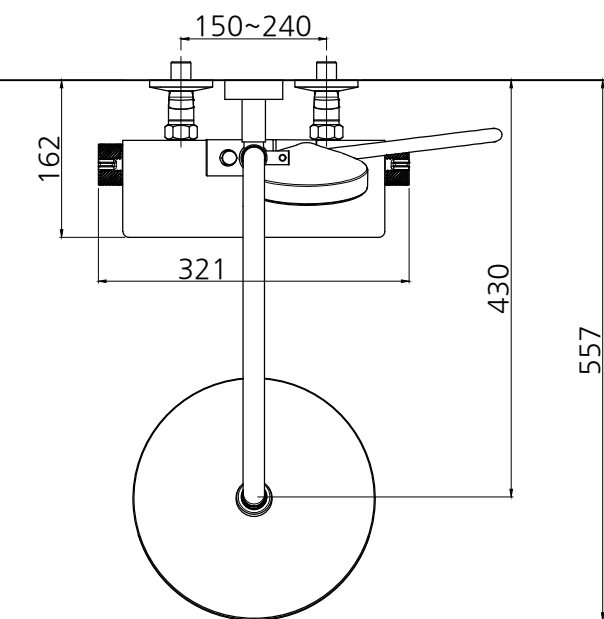
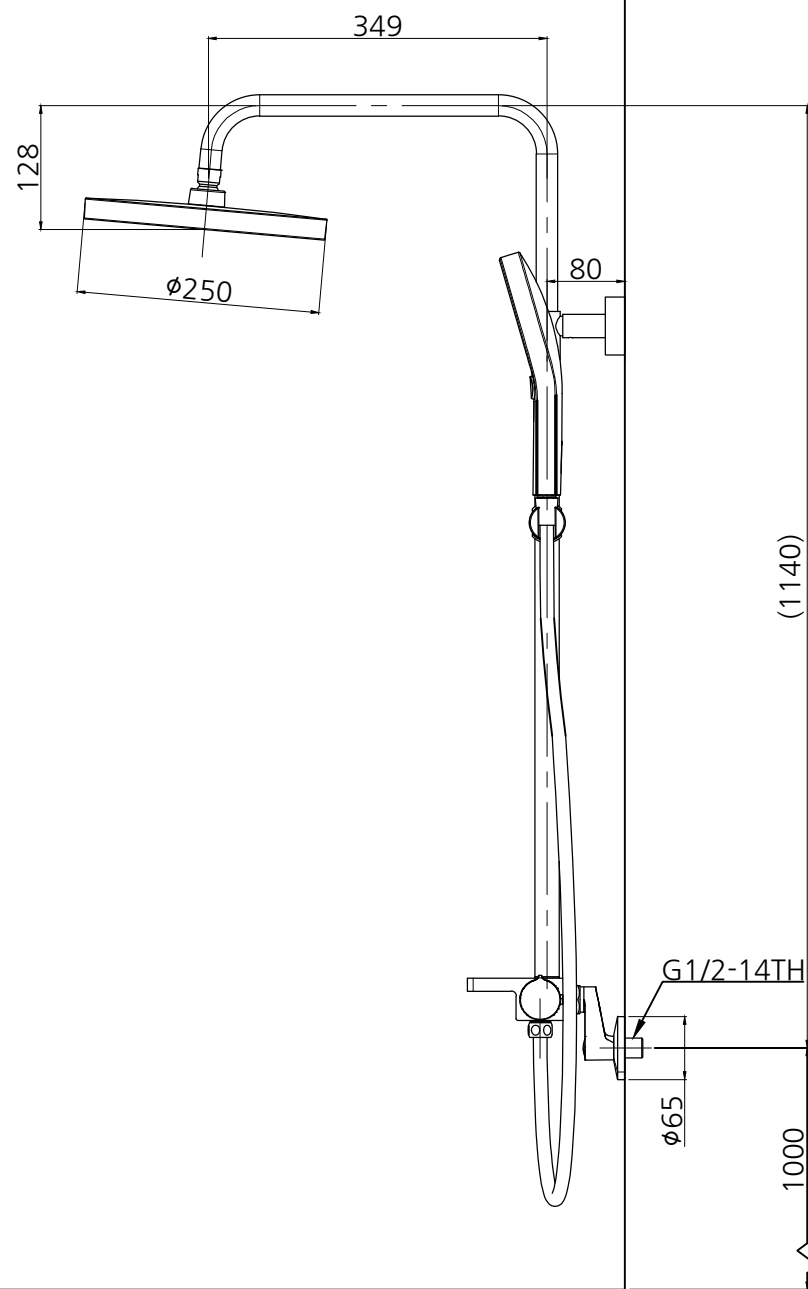


W.L



F.L

W.L



PROJECT TITLE

대림바스(주)

DRAWING TITLE

THOR
레인샤워수전

CODE NO.

HFB F20

DRAWN BY

CHECKED BY

APPROVED BY

DATE

DATE

DATE

DRAWING NO.
NO.

1/2

대림바스(주) 레인샤워_THOR_레인샤워수전_HFB F20